

Fire Alarm Control Panel

QC2002/QC2008

Operating Manual

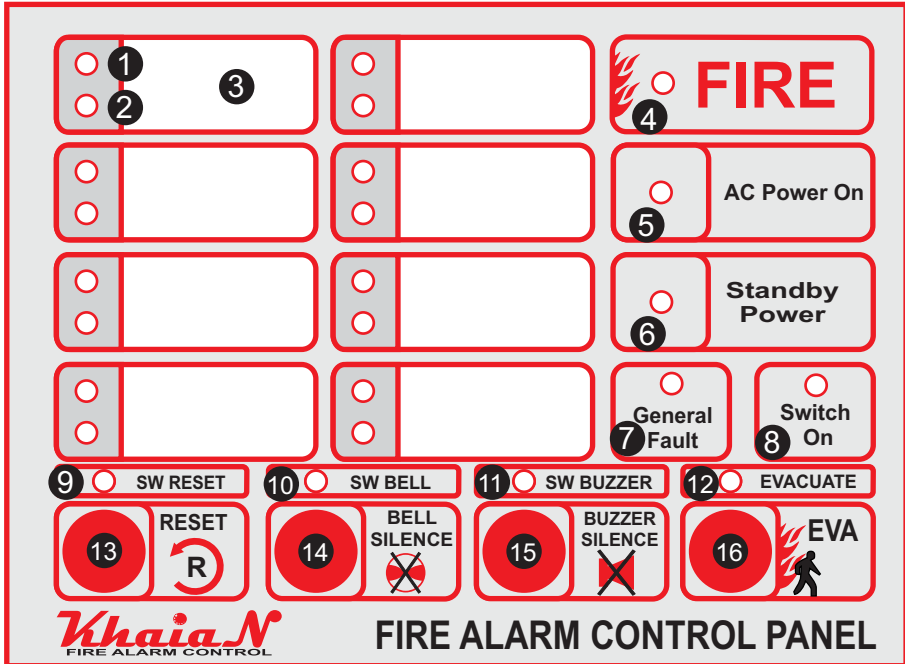
CONTENTS :

System Characteristics.....	1
Indicators and Switches Description	2
Wiring Diagram Description and Location of Fuse	4
Trouble Shooting	5
Housing Specifications.....	6
Main Specifications.....	7

System Characteristics :

- Alarm verification up to 5 seconds for real fire confirmation and avoid false alarm from environment interference.
- Zone test mode to perform alarm and fault functional test.
- Fault indications for wire disconnection, AC power
- QC2002 could up to 08 zones, QC1802 ups to 30 zones.

Indicators And Switches Description :

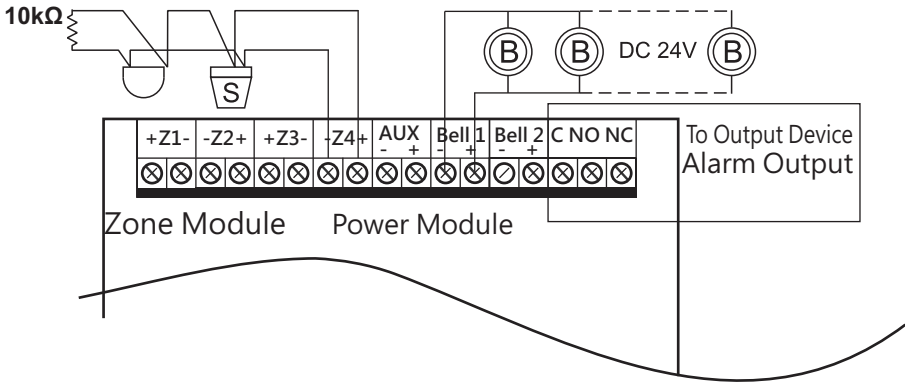


- | | |
|------------------------------|-------------------------------------|
| 1 Zone Fault | 9 Switch Reset on LED |
| 2 Zone Fire | 10 Switch Bell on LED |
| 3 Zone Indicator note | 11 Switch Buzzer on LED |
| 4 FIRE indicator | 12 Switch Evacuate on LED |
| 5 AC Power LED | 13 Reset Switch |
| 6 Standby Power LED | 14 Bell Silence Switch |
| 7 General Fault LED | 15 Buzzer Silence Switch |
| 8 Switch On LED | 16 Evacuate Emergency Switch |

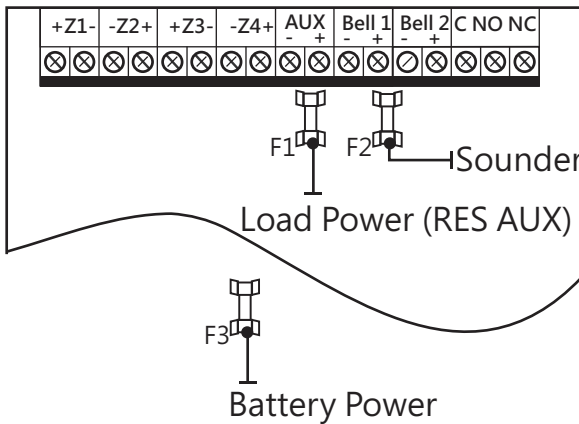
Indicators And Switches Description :

- ① Zone Fault: Light ON means that circuit has trouble.
- ② Zone Fire: Steady light ON means Fire status, light ON means.
- ③ Zone Indicator note: To show the name of covered area.
- ④ FIRE indicator: When the panel has received a fire signal, the LED will light ON.
- ⑤ AC Power LED: Light ON means panel working voltage is normal.
- ⑥ Standby Power LED: Light ON means panel working voltage is supplied by battery only
- ⑦ General Fault LED: Check for comms fault at all
- ⑧ Switch On LED: indicates it is under mode.
- ⑨ Switch Reset on LED: indicates it is under reset mode.
- ⑩ Switch Bell on LED: indicates it is under Bell Silence mode.
- ⑪ Switch Buzzer on LED: indicates it is under Buzzer Silence mode.
- ⑫ Switch Evacuate on LED: indicates it is under evacuate mode.
- ⑬ Reset Switch: Pressing this switch resets the panel.
- ⑭ Bell Silence Switch: When press switch once, LED ON and disable the sounder
- ⑮ Buzzer Silence Switch: When press switch once, Led ON and disable the buzzer
- ⑯ Evacuate Emergency Switch: When press switch once, Led ON and on Bell, Buzzer

Wiring Diagram Description



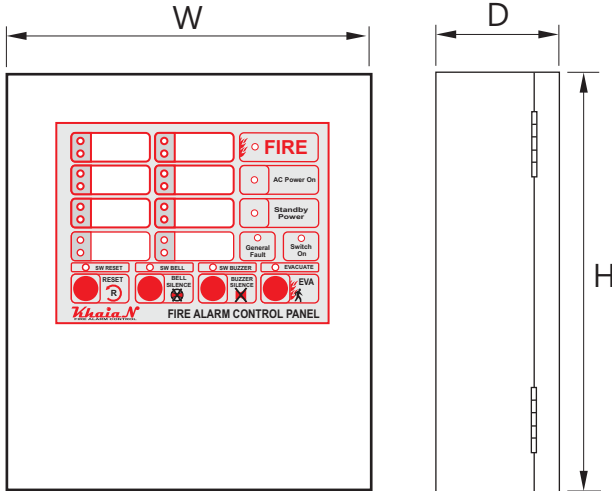
Location of Fuse



Trouble Shooting

Trouble Symptom	Solution and Suggestion
Zone Fault LED ON	<p>a. Check the panel if there is any non-connected zone and EOL resistor.</p> <p>b. Disconnect the wire of faulty zone and replaced with 10KΩ, the fault signal should disappea.</p> <p>c. If above steps released fault means the panel is normal, please check the external wiring before connect back to panel.</p> <p>d. Use vom-meter to measure the faulty zone resistance, normally it should read 10KΩ.</p>
Zone Fire LED ON	<p>a. Disconnect the wire of faulty zone and measure the faulty zone resistance, normally it should read 10KΩ.</p> <p>b. Disconnect the faulty zone wire and then reset the panel, replaced by 10KΩ and fix the trouble before reconnect the wire</p>
AC Power LED OFF	Check the input power and fuse if they are comply to the specification.
Standby Power LED ON	Check the input power and fuse if they are comply to the specification.
General Fault LED ON	If only a general is indicated on the main panel and none of the above confirming trouble indicators are on, then check the following for possible fault:

Housing Specifications



Zones	Height/mm	Width/mm	Depth/mm	Remark
QC2002	300	240	100	
4L	300	240	100	
6L	300	240	100	
8L	300	240	100	

Main Specifications

Description	
Power	220 VAC 50/60Hz (Others also available)
Battery Capacity	24 VDC/2.4A
Charging voltage & current	28 VDC 100mA~400mA
Loop voltage & current	24 VDC; short circuit under 5V
External resistance	Max. 50Ω
# of detector connected (Heat)	Mechanical – up to design Electronic – max. 30 per zone
# of detector connected (Smoke)	Max. 30 per zone
# of fire indicating lamp connected	# of zone x 1.5
# of bell connected	# of zone x 1.5
Relay output	Contact rating (24 VDC 3A)
End of line resistor	10KΩ (One for each zone)
Housing	1.2 m/m steel plate

